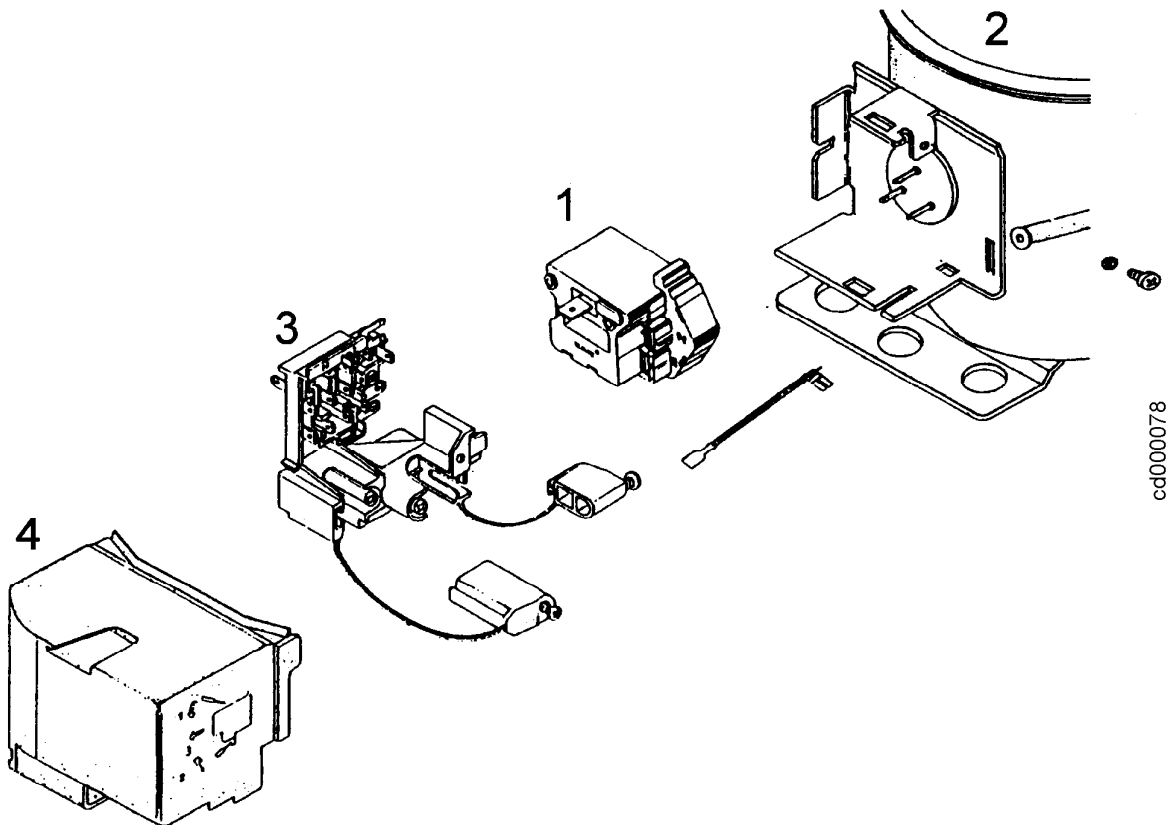


SERVICE BULLETIN**COMBO**

The COMBO is a new spare part consisting of a single component with the PTC and overload cut-out. The table lists the compressors for which the "COMBO" may be requested as a spare part instead of the traditional motor overload cut-out and/or PTC; on the compressors marked by an asterix the COMBO is already mounted in the production phase.



1. COMBO
2. compressor
3. terminal block
4. terminal block casing

PTC code	motor overload cut-out code	"COMBO" code	"COMBO" type	compressor type	compressor code (kit)
5022 36 39-00/1	226 30 01-15/4	226 30 11-01/3	C2-265NFBYY-151	GL 60 AA*	226 00 09-14/3
"	"	"	"	GL 80 AH*	226 00 09-32/5
"	5022 41 27-00/6	226 30 11-02/1	C2-222NFBYY-151	OF 1033 A*	---
"	226 30 01-20/4	226 30 11-03/9	C2-117LFBYY-151	HV 44 AH*	226 00 17-06/2
"	226 30 01-16/2	226 30 11-04/7	C2-142NFBYY-151	HL 60 AH*	226 00 09-25/9
"	"	"	"	HL 70 AH*	226 00 09-24/2
236 26 33-60/0	226 30 01-13/9	"	"	GL 35 AH	226 00 09-08/5
5022 36 39-00/1	226 30 01-05/5	226 30 11-05/4	C2-149NFBYY-151	OF 605	226 00 09-12/7
236 26 33-60/0	5024 08 07-00/3	226 30 11-06/2	C2-166NFBYY-151	GL 40 AH	5024 08 05-00/7
5022 36 39-00/1	226 30 01-01/4	"	"	GL 35 AA	226 00 09-12/7
236 26 33 60/0	226 30 01 13/9	"	"	GL 45 AH*	226 00 09-09/3
5022 36 39-00/1	226 30 01-22/0	226 30 11-07/0	C2-174NFBYY-151	HL 80 AH*	226 00 09-26/7
"	226 30 01-28/7	"	"	HL 70 AA*	226 00 32-32/7
"	"	226 30 11-08/8	C2-189NFBYY-151	GL 50 AH	226 00 32-31/9
"	226 30 01-18/8	"	"	HL 90 AH*	226 00 09-29/1
"	226 30 01-05/5	"	"	OF 789*	---
"	5023 74 33-00/3	"	"	GL 40 AA	5023 74 34-00/1
"	226 30 01-18/8	"	"	HL 99 AH*	226 00 09-30/9
236 26 33 60/0	5022 20 86-00/6	2263011-09/6	C2-205NFBYY-151	GL 60 AH*	226 00 09-15/0
5022 36 39-00/1	"	"	"	GL 45 AA*	226 00 09-13/5
"	"	"	"	GL 50 AA	226 00 20-30/6
"	226 30 01-08/9	2263011-10/4	C2-276NFBYY-151	GL 70 AA	226 00 20-29/8
236 26 33 60/0	"	"	"	GL 90 AH	226 00 09-21/8
---	---	2263011-11/2	C2-308NFBYY-151	GL 99 AH	226 00 21-01/5
5022 36 39-00/1	226 30 01-12/1	"	"	GL 80 AA*	226 00 09-17/6
"	226 30 01-09/7	2263011-12/0	C2-319NFBYY-151	GL 90 AA*	226 00 09-23/4
"	"	2263011-13/8	C2-330NFBYY-151	GL 99 AA*	226 00 09-28/3
"	226 30 01-16/2	2263011-15/3	C2-166 JFBYY-151	HV 57 AH	226 00 09-25/9